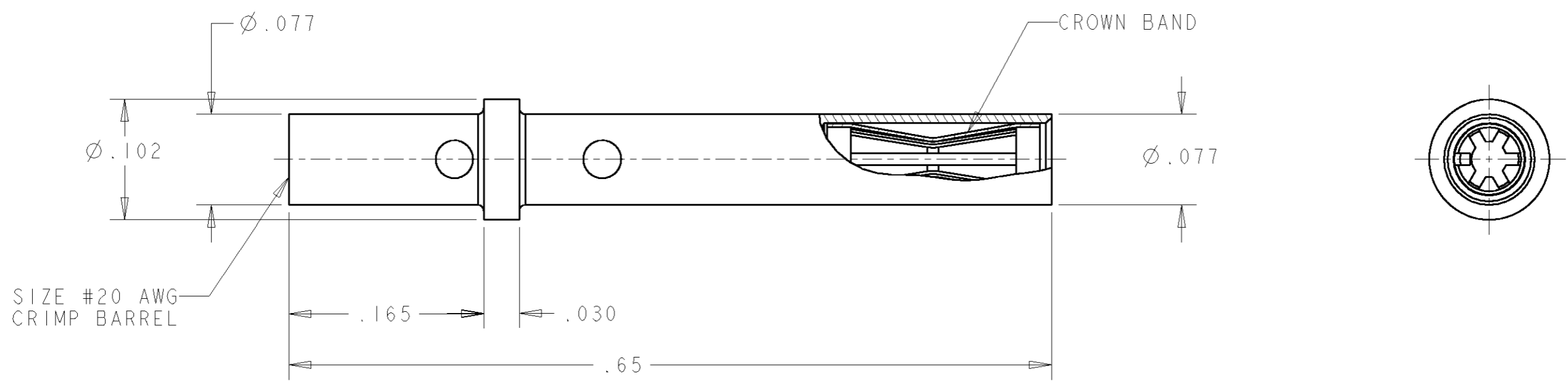


THIS DRAWING IS UNPUBLISHED. RELEASED FOR PUBLICATION 20  
 © COPYRIGHT 20 BY TYCO ELECTRONICS CORPORATION. ALL RIGHTS RESERVED.

LOC	DIST	REVISIONS			
P	LTR	DESCRIPTION	DATE	DWN	APVD
GP	00	A	RELEASED	07JUN2006	RG SF



1. PART NUMBER CHANGES AND/OR DESIGN CHANGES AFFECTING ITEM INTERCHANGEABILITY REQUIRES PRIOR TYCO APPROVAL AND AUTHORIZATION BY REVISION TO THIS DRAWING.

2 MATERIAL:  
 BODY: COPPER ALLOY  
 CROWN BAND: BERYLLIUM COPPER

3 FINISH:  
 BODY: GOLD PLATE .000010 MIN THK. OVER NICKEL  
 .000040 MIN THK.  
 CROWN BAND: GOLD PLATE .000030 MIN THK. IN CONTACT AREA  
 OVER NICKEL .000040 MIN THK.

4. ITEMS PROVIDED TO THIS SPECIFICATION TO BE PERMANENTLY IDENTIFIED ON THE CONTAINER PER THE FOLLOWING IDENTIFIER:

AS SHOWN	1648325-1
DESCRIPTION	PART NUMBER

TYCO PART NUMBER: XXXXXXXX-X  
 DATE CODE (eg. 0216): YEAR WEEK  
 XXXX

<small>THIS DRAWING IS A CONTROLLED DOCUMENT FOR TYCO ELECTRONICS CORPORATION          IT IS SUBJECT TO CHANGE AND THE CONTROLLING ENGINEERING ORGANIZATION          SHOULD BE CONTACTED FOR THE LATEST REVISION.</small>		DWN R.GRZYBOWSKI 07JUN2006 CHK S.FLICKINGER 07JUN2006 APVD S.FLICKINGER 07JUN2006	<b>tyco</b> <b>Electronics</b> Tyco Electronics Harrisburg, PA 17105-3608
DIMENSIONS: INCHES 	TOLERANCES UNLESS OTHERWISE SPECIFIED: 0 PLC ±- 1 PLC ±- 2 PLC ±.01 3 PLC ±.005 4 PLC ±- ANGLES ±.5	PRODUCT SPEC - APPLICATION SPEC - WEIGHT -	NAME CONTACT, SOCKET, SIZE NO. 20 CRIMP STYLE, LOW INSERTION FORCE
MATERIAL 2	FINISH 3	CUSTOMER DRAWING	SIZE A3 CAGE CODE 00779 DRAWING NO C-1648325 RESTRICTED TO - SCALE 10:1 SHEET 1 OF 1 REV A